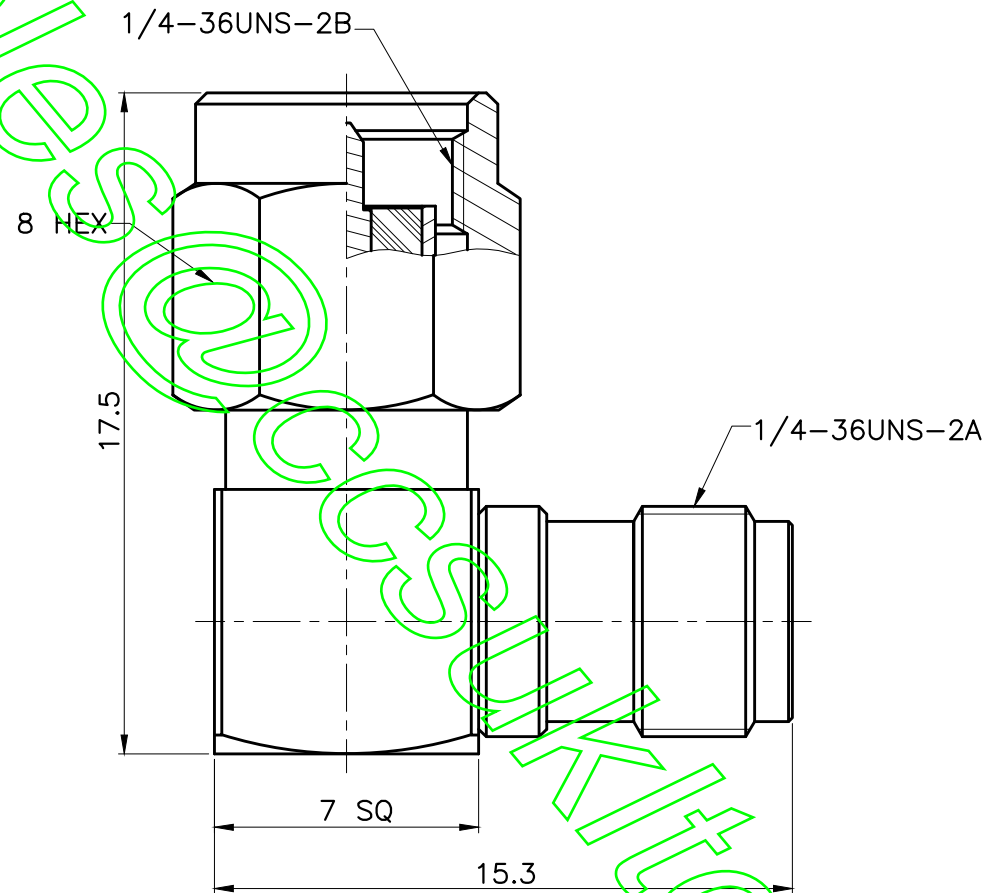


REVISIONS	
ISS	DESCRIPTION \ DATE

RoHS COMPLIANT



TITLE: SMA MALE TO FEMALE RIGHT ANGLE		APRD:	UNLESS OTHERWISE SPECIFIED TOLERANCES 0.5-6 = ±0.2 >6-30 = ±0.4 >30-120 = ±0.6 >120-315 = ±1 >315-1000 = ±1.6 ANGLES = ±5°				
PART NO: SMAPJRAA50		CHKD:					
DRAWING NO: 029		DR:					
		DATE: 03/11/09"	UNIT: mm				
		SHEET: .	SCALE: 5/1	NO.	DESCRIPTION		
					CONTACT PIN	BRASS	
					INSULATOR	TEFLON	
					BODY	BRASS	
					MATERIAL		
						GOLD	
						WHITE	
						GOLD	
						FINISH	